

◆ A T E L I E R **FORTVNY** V E N E Z I A ◆

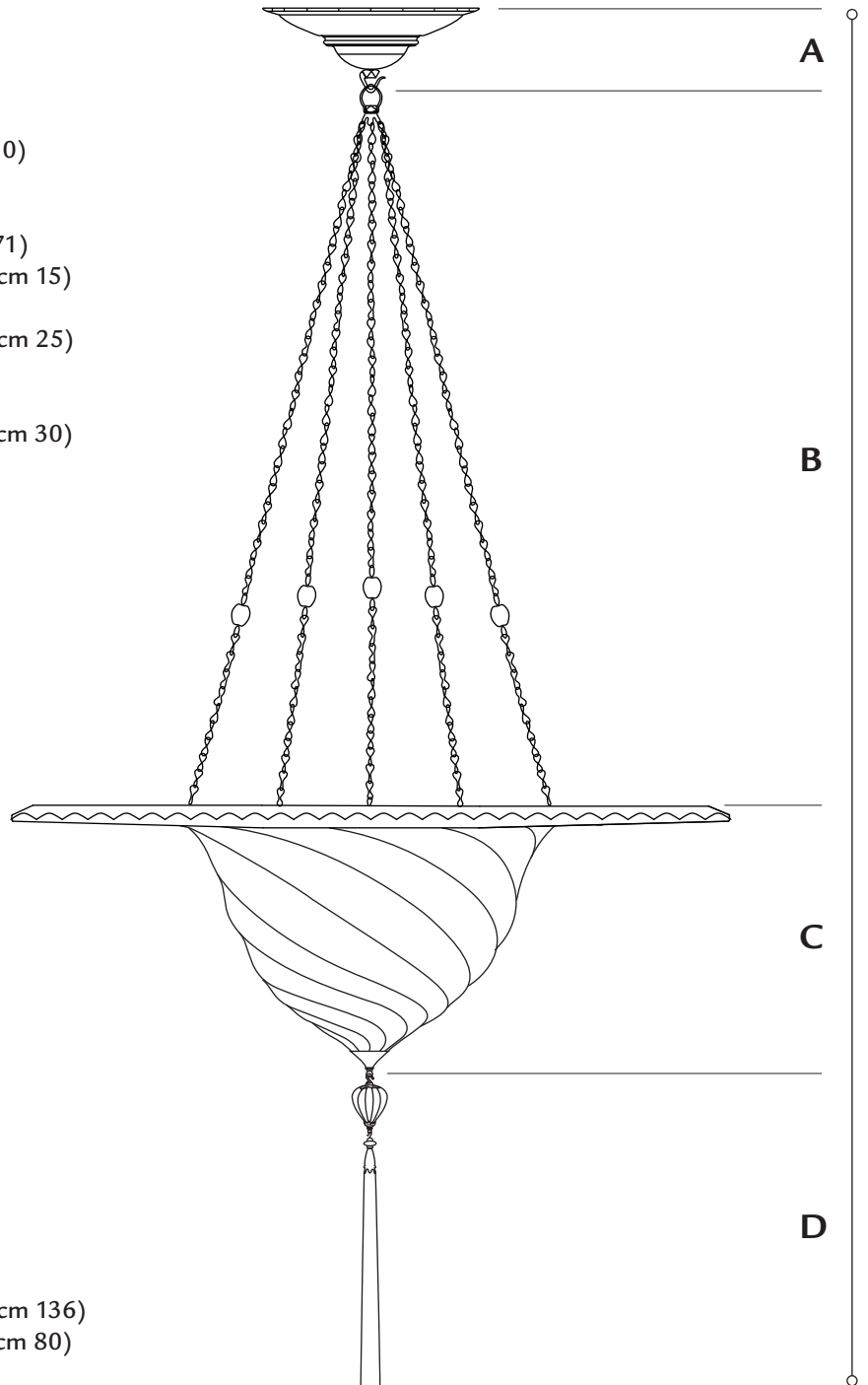
produced & distributed by Venetia Studium S.r.l. San Marco, 2425 . 30124 Venezia - Italy p+39 041 5236953 . info@fortuny.it
www.fortuny.it

FORTVNY SAMARKANDA

glass . shade ø 16 in. (cm 40,5)
metal ring ø 27 1/4 in. (cm 69)

art. G 069 SKC - 1

- A. ceiling attachment** 4 in. (cm 10)
(hook and ring included)
- B. chains' s lenght** 28 in. (cm 71)
minimum 5 7/8 in. (cm 15)
- C. shade** 9 7/8 in. (cm 25)
(metal tip included)
- D. glass drop with rayon tassel** 11 3/4 in. (cm 30)



standard overall height 53 1/2 in. (cm 136)
minimum 31 1/4 in. (cm 80)

weight lb.14 oz.5 (6,5 kg)

suggested wattage 1 x max 100W

voltage 110/120V: E26 socket . 220/240V: E27 socket

◆ A T E L I E R **FORTVNY** V E N E Z I A ◆

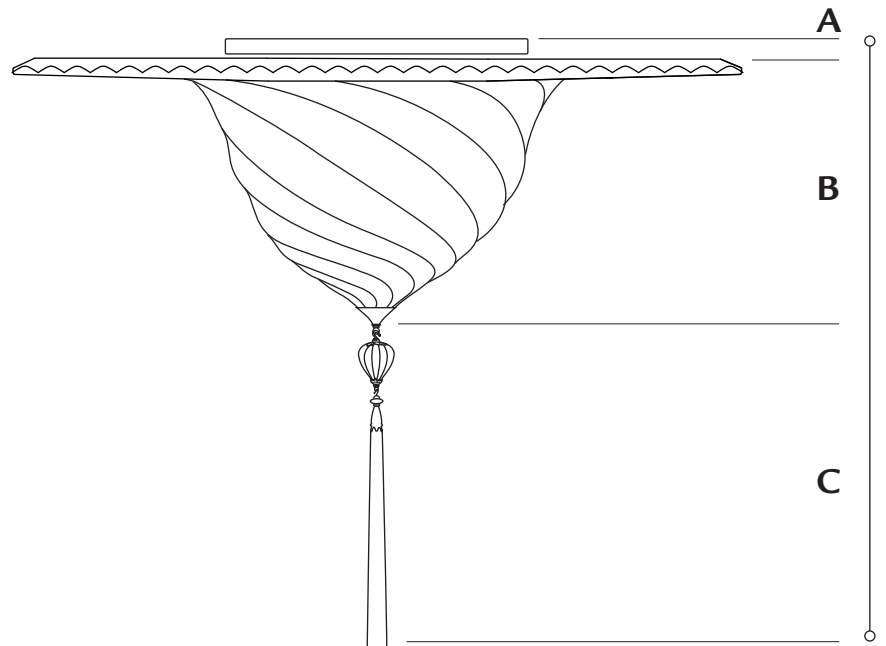
produced & distributed by Venetia Studium S.r.l. San Marco, 2425 . 30124 Venezia - Italy p+39 041 5236953 . info@fortuny.it
www.fortuny.it

FORTVNY SAMARKANDA

glass . shade ø 16 in. (cm 40,5)
metal ring ø 27 1/4 in. (cm 69)

art. G 069 SKC - 2

- A. ceiling attachment** 1 1/2 in. (cm 4)
C. shade 9 7/8 in. (cm 25)
(metal tip included)
D. glass drop with rayon tassel 11 3/4 in. (cm 30)



- standard overall height** 23 in. (cm 59)
weight lb.17 oz.10 (8 kg)
suggested wattage 3 x max 25W
voltage 110/120V: E12 socket . 220/240V: E14 socket